



Dynapac CC2200


Double drum vibratory rollers





Technical data

|  Masses | |
|--|---------------------|
| Max. operating mass | 19,800 lbs |
| Operating mass (incl. ROPS) | 16,800 lbs |
| Operating mass (incl. Cab) | 17,196 lbs |
| Module mass (front/rear) | 8,400 lbs/8,400 lbs |

|  Propulsion | |
|--|--------|
| Speed range | 0 -7.5 |
| Vertical oscillation | ±7° |
| Theor. gradeability | 42 % |

|  Compaction | |
|--|---------------------|
| Centrifugal force (high/low amplitude) | 17,540 lb/15,060 lb |
| Nominal amplitude (high/low) | 0.03 in/0.01 in |
| Static linear load (front/rear) | 142 /142 lbs/in |
| Vibration frequency (high/low amplitude) | 2,880 vpm/4,020 vpm |
| Water tank | 198 gal |

|  Engine | |
|--|---------------------------|
| Manufacturer/Model | Deutz TCD 3.6 HT T4f |
| Type | Water cooled turbo diesel |
| Rated power, SAE J1995 | 75 hp @ 2,200 rpm |
| Fuel tank capacity | 34 gal |

|  Hydraulic system | |
|--|---|
| Driving | Axial piston pump with variable displacement. Axial piston motors (2) with variable displacement. |
| Vibration | Axial piston pumps (2) with variable displacement. Axial piston motors (2) with constant displacement. |
| Steering | Gear pump with constant displacement. |
| Service brake | Hydrostatic in forward and reverse lever. |
| Parking/Emergency brake | Failsafe multidisc brake in both drums. |

Find us locally at www.dynapac.us

We reserve the right to change specifications without notice. Photos and illustrations do not always show standard versions of machines. The above information is a general description only, all informations are supplied without liability.

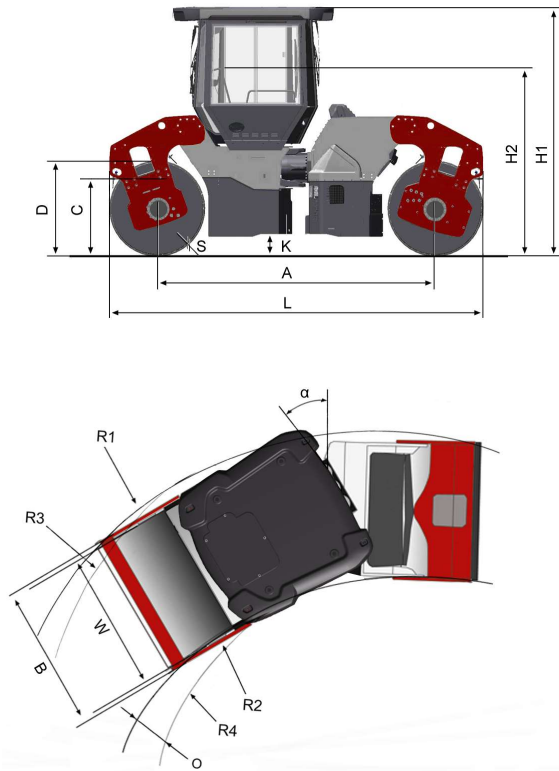
dynapac_cc2200_us-20171207.142032.pdf 2017-12-07 14:20

Dynapac CC2200

Double drum vibratory rollers



Technical data



| Dimensions | |
|--|----------|
| A. Wheelbase | 131 in |
| B. Width | 64 in |
| C. Curb clearance | 28 in |
| D. Drum diameter | 45 in |
| H1. Height, with ROPS/cab | 118 in |
| H2. Height, w/o ROPS/cab | 90 in |
| K. Ground clearance | 11 in |
| L. Length | 177 in |
| O. Off-set | 13.19 in |
| R1. Turning radius, outside | 259 in |
| R2. Turning radius, inside | 200 in |
| R3. Turning radius with off-set, outside | 192 in |
| R4. Turning radius with off-set, inside | 133 in |
| S. Drum shell thickness | 0.8 in |
| W. Drum width | 59 in |
| α. Steering angle | ±32° |



Standard equipment

- Automatic vibration control (AVC)
- Automatic water control (AWC)
- Back-up alarm
- Display: Engine temp, Fuel level, Frequency/impactometer, Hydr. temp, Speedometer, Tachometer, Voltage, VPM, Water level
- Filters for sprinkler system
- Hydraulic check points
- Lunch box holder
- Operator platform, shock mounted
- Pressurized sprinkler system
- ROPS canopy w/suspension seat & 3" seat belt
- Rotating beacon
- Sliding and swiveling operator's platform
- Spring loaded scrapers
- Sprinkler timer
- Sprinkler system additional (Two bars per drum)
- Steering wheel tilt able
- Vandal cover for instrument panel
- Vibration quick stop
- Vibration shut off front or rear drum
- Warning lights: Air cleaner, Brake, Clogged hyd. fluid filter, Engine oil pressure/temp, Hyd oil temp, Low charge, Low fuel
- Working lights, Rops mounted



Optional equipment

- Asphalt Temp Meter
- Compaction Analyzer
- Drum Edge Lights
- Whisper Cab Package

Find us locally at www.dynapac.us

We reserve the right to change specifications without notice. Photos and illustrations do not always show standard versions of machines. The above information is a general description only, all informations are supplied without liability.

dynapac_cc2200_us-20171207.142032.pdf 2017-12-07 14:20